


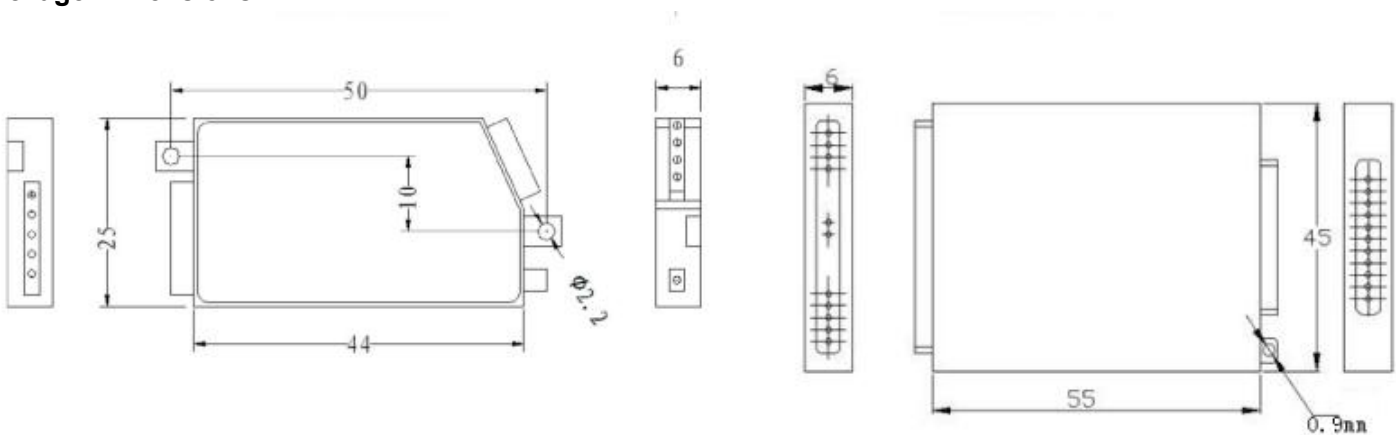
CWDM Module - Mini Size

Features	
Low insertion loss & High channel isolation High stability and reliability	
Application	
CWDM system Metro/Access Networks CATV Fiberoptic System	

Specifications

Parameter		Type	4 Ch	8 Ch	18ch
CWDM Channel Insertion Loss (dB)			≤1.0	≤1.5	≤3.5
Central wavelength (nm)			1270~1610		
Channel space (nm)			20		
Channel bandwidth (nm)			$\lambda_c \pm 6.5$		
1260-1360nm Channel Insertion Loss (dB)			≤0.6		
Pass band Ripple (dB)			≤0.5		
Isolation (dB)	adjacent channel		≥30		
	non-adjacent channel		≥40		
	Upgrade channel		≥15		
Directivity (dB)			≥50		
Return loss (dB)			≥50		
PDL (dB)			≤0.20		
Power handling (mW)			≤300		
Operating temperature (°C)			0 ~ +70		
Storage temperature (°C)			-40 ~ +85		
Dimensions (mm)			44x25x6(<8CH)	55x45x6.0mm (>8ch)	

Package Dimensions:



Ordering Information:

MCWDM	Port Type	Grade	Wave length	Pigtail Type	Fiber Type	Length	Connector
	4=4ch 8=8ch 41=4+1ch 81=8+1ch 411=4+1+UPG 811=8+1+UPG 16=16CH 18=18CH	P=P grade A=A grade	1271 1611	1=250um bare fiber 9=900um loose tube 2=2mm loose tube	1=SMF-28e	1= 1m	NE=None FA=FC/APC FC=FC/UPC SA=SC/APC SC=SC/UPC LC=LC/UPC LA=LC/APC XX=Other