


## PM Fiber Variable Optical Attenuator

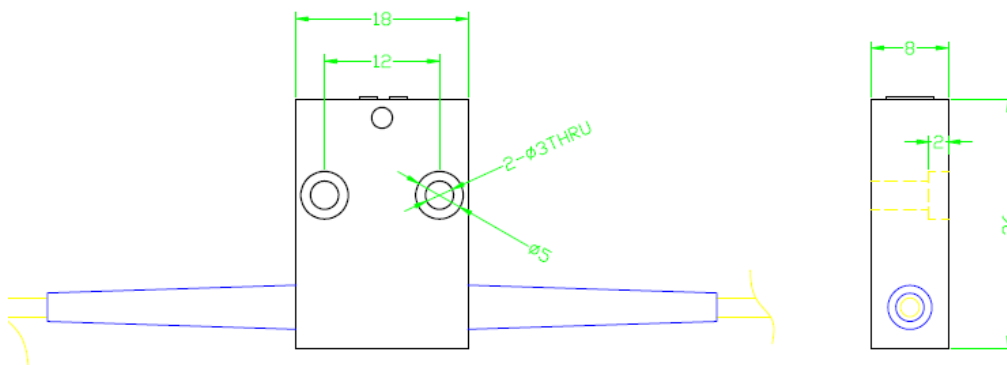
<b>Features</b>	
High precision & Wide attenuation range Low Insertion Loss & High PER High stability and reliability	
<b>Application</b>	
Optical communication systems test Fiber component test Fiber Sensor	

### Specifications

Parameter	Value					
Wavelength (nm)	1310, 1550	1064	980	850,780	635	532
Bandwidth (nm)	±40	±20	±10	±10	±10	±10
Attenuation Range (dB)	0.6~40	0.8~40	0.8~40	1.0~40	1.0~40	1.0~40
Original Loss	≤0.6	≤0.8	≤0.8	≤1.0	≤1.2	≤1.2
Extinction ratio (dB)	≥20					
Return Loss (dB)	≥50					
Fiber Type	Panda Fiber					
Adjustment Precision (dB)	0.02					
Operating Temperature	-5~ +70					
Storage Temperature	-40 ~ + 85					
Dimension (LxMxH) (mm)	26x18X8					

For device with connector, IL is 0.3dB higher, RL is 5dB lower, ER is 2dB lower

### Package Dimensions



### Ordering Information

PMVOA	Wavelength	Adjustment Type	Pigtail Type	Fiber Type	Length	Connector
	1310 1550 1064 980 850 780 635 532	1= Hand adjustment	1=900um loose tube 2=2mm loose tube 3=3mm loose tube	5=Panda fiber	0.8= 0.8m	NE=None FA=FC/APC FC=FC/UPC SA=SC/APC SC=SC/UPC LC=LC/UPC XX=Other